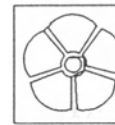


Jig for Three-Legged Bases

Steve Bloom

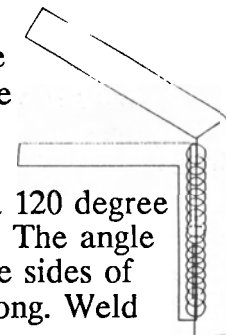


If you need to make several bases or (like me) have some problems with getting the angles right, this jig might help. In successive write-ups, I'll describe a shaping jig for the arcs of the legs & two projects (a simplified courting candle-stick & an elaborate copper & basket-work combination).



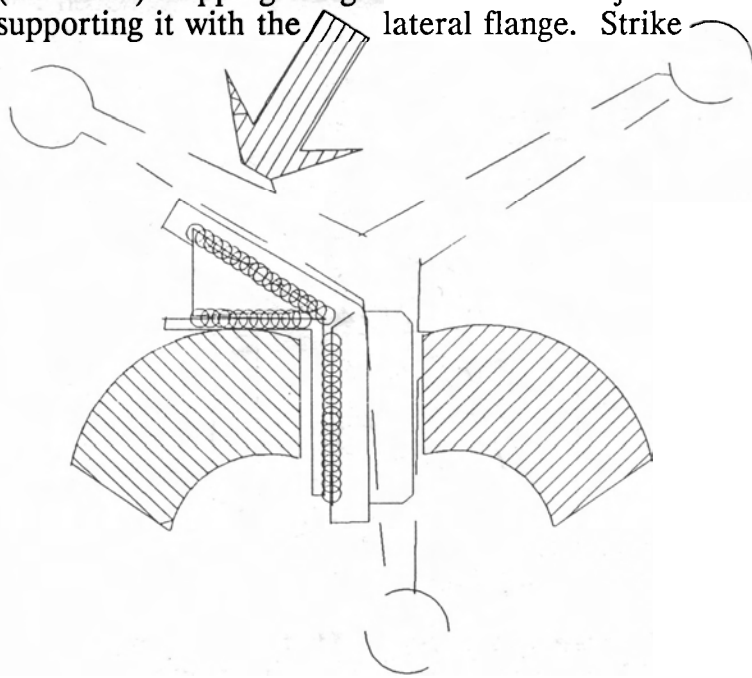
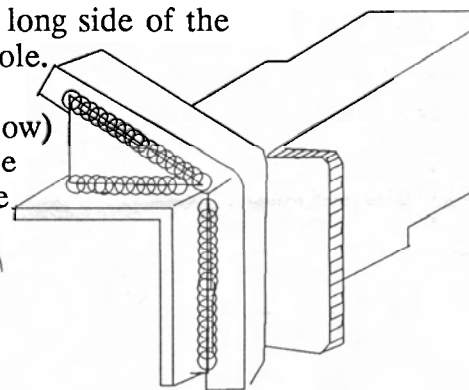
A. Start with 6" of 1/2" square stock and hacksaw a 60 degree notch 2/3 of the way through.

B. Bend the stock as shown (giving a 120 degree arc) & weld to a piece of angle iron. The angle iron should be slightly larger than the sides of your anvil's hardy hole & approx. 6" long. Weld the bent piece 4" from an end.



C. Weld side gussets between the free-standing portion of the 1/2" stock and the angle iron and weld a flange (1" x 1/4" x 2.5") along one side of the other limb of the 1/2" stock. Grind the edges of the long side of the angle iron so the jig can be inserted into the hardy hole.

D. To use the jig, prepare the leg unit (details to follow) & while still flat & hot, place the jig either in the vise (as shown) trapping 1 leg between the vise jaws while supporting it with the lateral flange. Strike



the other leg as shown to set the correct 120 degree angle. Be sure to compensate for the taper of the legs. Alternatively, insert the jig into the hardy hole & hold 1 leg while tapping the other (this is a nice way to do fine adjustments).

Copyright (C) 1990 - IronFlower Forge

ABANA chapter newsletters may reprint this article, provided the author's copyright is reproduced with the article and *The Florida Clinker Breaker* is credited as the source.